

Butterfly Valves – Series WB40FF

2-way Butterfly Valves Wafer Type - flanged 2" - 4"
Pressure Rating ANSI B16.5 - Class 150 to 300



Technical data



Flow medium	Water and similar fluids
Temperature of medium	-10...+80°C
Nominal pressure	4200kPa (600 psig)
Leakage rate	Rate A Bubble Tight (ISO 5208)
Pipe connections	ISO 7005.2, AS2129 PN6/10/16/40 for wafer (DN50...100) ANSI B16.5 150# - 300# for wafer (2" - 4")
Max. Close-off pressure	4000kPa
Installation position	Vertical to horizontal
Maintenance	Maintenance-free
Angle of rotation	90° rotation
Valve Material	
Body	Ductile cast iron GGG40
Disc	C954
Seat	NBR
Stem	Stainless steel 420

Product features

The modified equal-percentage flow characteristic and the large Kv values provide an economical control valve solution.

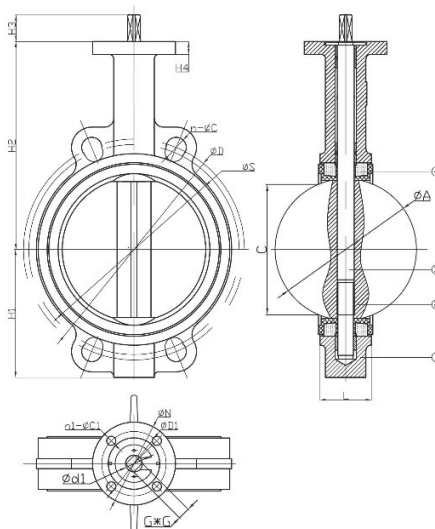
Mode of operation

The Butterfly Valve is operated by a Rotary Actuator. Select the actuator according to required Close-off pressure and HVAC condition of installation. The actuators are controlled by a standard Open/ Close or modulating control system and rotate the disc of the valve to the position dictated by the control signal.

Manual operation

Manual operation is available by the use of a lever.

Dimensions



DN50...DN100
2" ... 4"

Type	Size	Top flange	L	C	øS	H1	H2	H3	H4	G	øN	PN6		PN10		PN16		PN 40		Weight (kg)
												øD	n-øC	øD	n-øC	øD	n-øD	øD	n-øC	
WB40FF-20	2"	F05	43	25	89	72	133	13	11	14	65	110	4-14	125	4-19	125	4-19	125	4-19	2.6
WB40FF-30	3"	F05	46	62	120	96	158	13	11	14	65	150	4-19	160	8-19	160	8-19	160	8-19	3.5
WB40FF-40	4"	F05	52	89	150	106	170	13	11	14	65	170	4-19	180	8-19	180	8-19	180	8-19	5.1