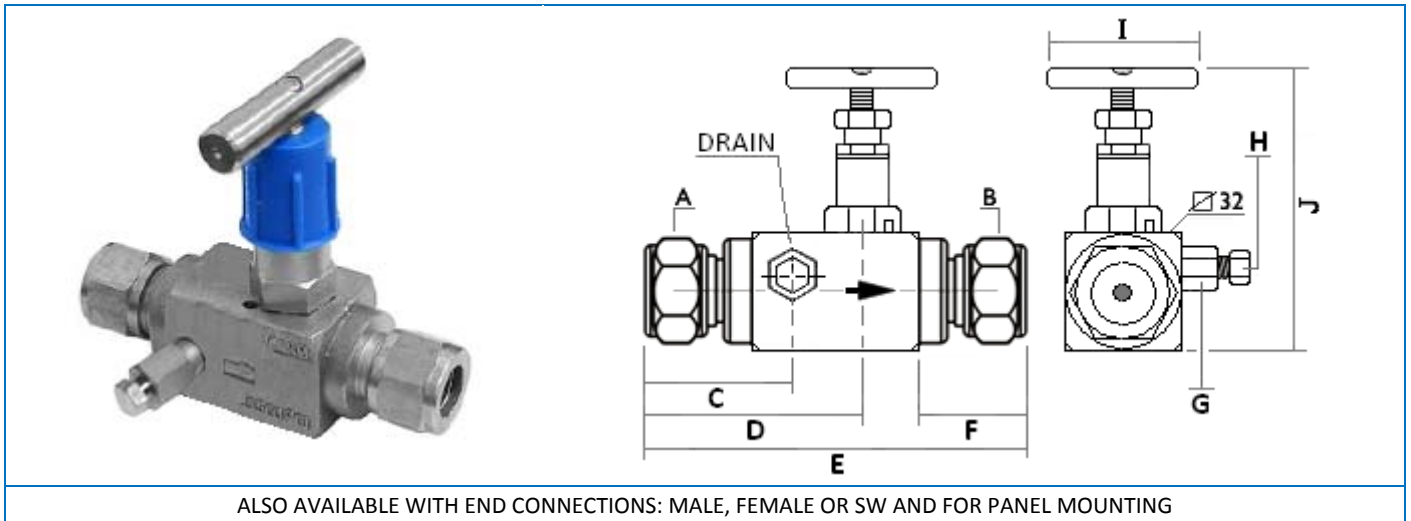




Needle Valve 510 T Series

Tube O.D. – Short – 1 Way

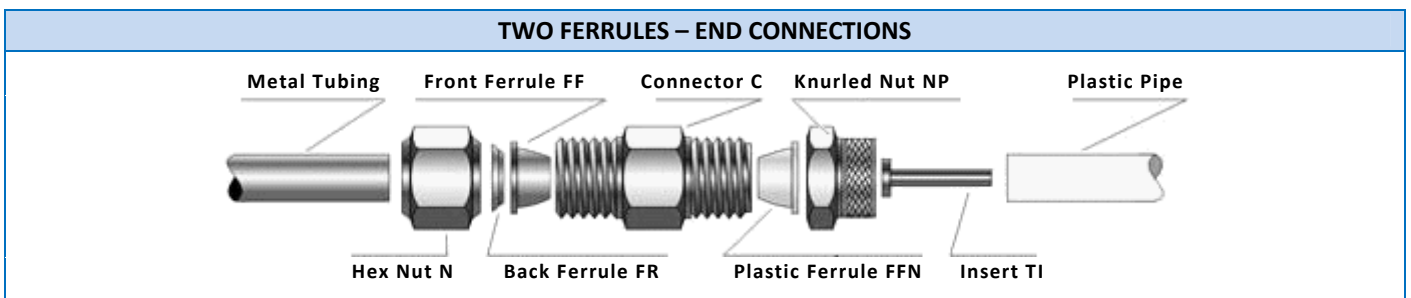


ALSO AVAILABLE WITH END CONNECTIONS: MALE, FEMALE OR SW AND FOR PANEL MOUNTING

PART NUMBER	SS 316 CARBON	514 T 316 514 T S	516 T 316 516 T S	518 T 316 518 T S
END CONNECTIONS	PROCESS SIDE (A) INSTRUMENT SIDE (B)	1/4" O.D. TUBO	3/8" O.D. TUBO	1/2" O.D. TUBO
DIMENSIONS*	C		37	
	D		57	
	E		95	
	F		26	
	G		ADAPTER 1/4" NPT	
	H		DRAIN M8 X 1	
	I		55	
J		OPEN: 91 CLOSED: 88,5		

* Dimensions are for reference only and are subject to change.

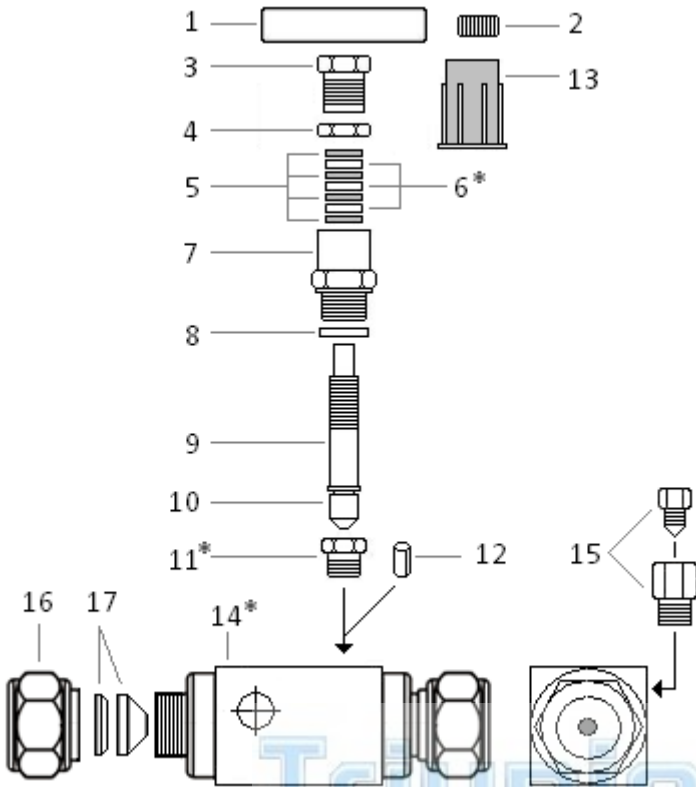
OPTIONALS & KEY FEATURES	
VARIOUS STANDARD END-CONNECTIONS FROM 1/8" TO 1"	17-4 PH STAINLESS STEEL NON-ROTATING STEM TIP
CHOICE OF 316 STAINLESS STEEL (CF8M) OR CARBON (WCB)	NPT THREADS OR BSP THREADS – MM OR INCHES
TEFLON® PACKING OR GRAFOIL® PACKING	MAXIMUM OPERATING PRESSURE: 6.500 PSI
STRAIGHT AND ANGLE PATTERNS	JOINT IS LOCATED ABOVE THE PACKING, PROTECTED FROM SYSTEM



Technical Standards



STANDARDS – RAW MATERIAL		510 T	
		DESCRIPTION	
Nº	SS 316 (316)	CARBON (S)	
1	ROUND BAR (316)	ROUND BAR (S)	
	ASTM A 276	SAE 1020 / 1045	
2	SCREW ALLEN (304)	SCREW ALLEN (S)	
	DIN 915	DIN 915	
3	HEX BAR (316)	HEX BAR (S)	
	ASTM A 276	SAE 1020 / 1045	
4	HEX BAR (316)	HEX BAR (S)	
	ASTM A 276	SAE 1020 / 1045	
5	WASHER (316)		
	ASTM A 167		
6*	PTFE 850A (TEFLON®)		
	ASTM D 4894		
	GRAFKOTE (GRAFOIL®)		
	ASTM F 1315		
7	HEX BAR (316)	HEX BAR (S)	
	ASTM A 276	SAE 1020 / 1045	
8	PTFE 850A (TEFLON®)		
	ASTM D 4894		
9	ROUND BAR (316)		
	ASTM A 276		
10	ROUND BAR ARMCO 17-4 PH		
	ASTM A 564 TP 630		
11*	HEX BAR(316)		
	ASTM A 276		
12	SPRING PIN (304)	SPRING PIN (S)	
	DIN 1481	DIN 1481	
13	DUST CAP (PEBD 30%)		
	API SPECIFICATION 5CT/ISO 11960		
14*	BODY VALVE (CASTING) (CF8M)	BODY VALVE (CASTING) (WCB)	
	ASTM A 351	ASTM A 216	
	SQUARE BAR (316)	SQUARE BAR (S)	
15	HEX BAR (316)		
	ASTM A 276		
16	HEX BAR (316)		
	ASTM A 276		
17	ROUND BAR (316)		
	ASTM A 276		



*OPTIONALS

VALVES BODIES TREATMENT			
COMPONENT		TREATMENT	STANDARD
ALL (EXTERNALS)	316 (CF8M)	GLASS BEAD BLASTING	TRIUNION'S STANDARD
	CARBON (WCB)	CHROMATE NON-HEXAVALENT (COLORLESS)	
NUT (N)	16	SS 316	

OXYGEN CLEANING			
COMPONENT		TREATMENT	STANDARD
ALL	SS 316 (CF8M)	ROCOL® FLUOR CLEAN OR SIMILAR	ASTM G 93
	CARBON (WCB)		

PRESSURE TESTING			
PRODUCTS	TESTING PROCEDURES		STANDARD
	SHELL	SEAT	
VALVES	9.750 PSI – 15 SEC ROOM TEMPERATURE	7.150 PSI – 15 SEC ROOM TEMPERATURE	MSS SP 82 BS EN 12266



Technical Information

Valves 510 Series with drain – 1 Way

TECHNICAL DATA		SS 316	CARBON	
S T A N D A R D S	CONSTRUCTION		BODY: ASME B 16.34	
			END CONNECTION: ASME B 16.11	
	RAW MATERIAL (ASME B 31.1)	BODY (OPTIONAL)	SS 316 - CASTING (CF8M) – ASTM A 351	CARBON - CASTING (WCB) – ASTM A 216
			SS 316 - BAR ASTM A 276 TP 316	CARBON - BAR SAE 1020 / 1045
		NEEDLE	ARMCO 17-4 PH – ASTM A 564	
		PACKING (OPTIONAL)	GASKETS: CHOICE OF TEFLON® (POLYACETAL) OR GRAFOIL®	
INTERNAL	ALL SS 316 - ASTM A 276			
CONSTRUCTIVE FORM OF THE STEM		SINGLE PIECE WITHOUT WELDING		
HANDLE (OPCIONAL)	T-BAR SS 304 / SS 316 Ø – ASTM A 276		T-BAR CARBON Ø – SAE 1020 / 1045	
	CHOICE = BAKELITE HANDLE OR WHEEL HANDLE SS 316 (CF8M) / CARBON (WCB)			
ACTUATOR		DIRECT BY HANDLE		
TYPE		NEEDLE TYPE GLOBE VALVE		
SEAT		METAL SEAL BETWEEN BODY AND BONNET REPLACEABLE		
NEEDLE TIP		NON ROTATING TIP – SELF CENTERING AND ANTI-GALLING		
WORKING PRESSURE		6.500 PSI (MAXIMUM)		
END CONNECTIONS FOR TUBE O.D.		TWO FERRULES SYSTEM		
ORIFICE SIZE / CV		4 MM / CV 0,36 (MAXIMUM)		
BURST PRESSURE		DESIGNED WITH 4 : 1		
TEMPERATURE RANGE (OPTIONAL PACKING)		TEFLON® = (-) 50° C + 200° C GRAFOIL® = (-) 50° C + 600° C		
TESTING PROCEDURES		STANDARDS BS EN 12266-1:2003 / BS EN 1266-2:2003 / MSS-SP-82 100% FACTORY TESTED 9.750 PSI – 15 SEC – ROOM TEMPERATURE		
KEY FEATURES				
HIGH PRESSURE CAPABILITY, 316 STAINLESS STEEL OR CARBON VALVE MAXIMUM WORKING PRESSURE IS 6.500 PSI (448 BAR) AT ROOM TEMPERATURE.				
PACKING STEM SEATS BELOW STEM THREADS, TO PROTECT STEM THREADS FROM ABRASIVE FLUIDS.				
REPAIR SEAT KIT ON AVAILABLE TO EXCHANGE				
100% FACTORY TESTED, ALL VALVES HAVE NEEDLE NON-ROTATING HARDNED (17-4 PH) TIPS AS STANDARD.				
DIFERENT TYPE OF THE END CONNECTIONS: DOUBLE FERRULE TYPE, SW, MALE, FEMALE, NPT OR BSP THREADS, INCHES AND MM.				